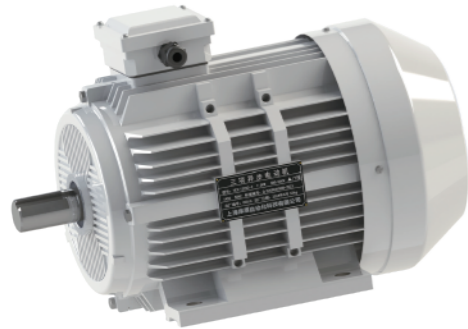


YE3-63-160 系列铝壳三相异步电动机 YE3-63-160 series (aluminum shell) ultra-efficiency three-phase asynchronous motor

该系列产品外壳采用高强度铝合金压铸而成，结构紧凑，底脚可拆卸，具有效率高、可靠性高、造型美观、噪音低、振动小等特点，适用于风机、水泵、机床、包装机械、木工机械等各类机械传动设备。



The YE3 series aluminum frame motors with compact structure and removable footing, have the characteristics of ultra high efficiency, high reliability, beautiful appearance, low noise, little vibration, and can be applied to a variety of transmission equipments such as fan, pump, machine tool, packaging machinery, wood-working machinery, etc.

产品使用条件 WORKING CONDITION

额定功率: 0.75~18.5kw	Rate power : 0.75~18.5kw
机座号: 63~160	Frame size : 63~160
极数: 2极、4极、6极	Poles : 2p、4p、6p
防护等级: IP55	Protection degree : IP55
绝缘等级: F	Insulation class : F
冷却方式: IC411	Cooling method : IC411
能效等级: GB18613-2012 2级	Efficiency class : GB18613-2012 grade 2
(享受国家惠民产品补贴)	(State subsidies)

产品技术数据 SPECIFICATION

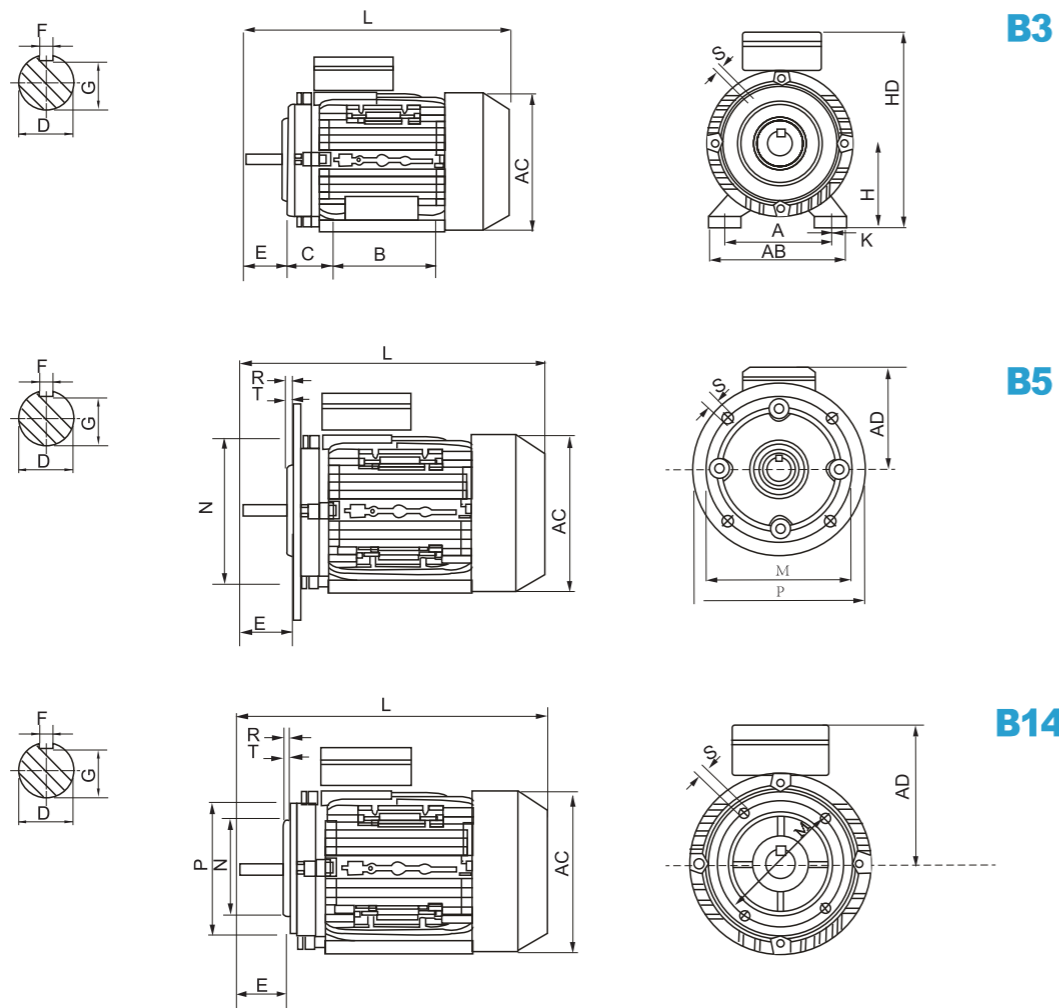
型号 Type	功率 Out put (kW)	电流 Amps (A)	转速 Speed r/min	效率 Eff. (%)	功率因数 Power Factor Cos φ	堵转转矩 额定转矩 Locked Rotor Torque Rated Torque	堵转电流 额定电流 Locked Rotor Current Rated Current	最大转矩 额定转矩 Breakdown Torque Rated Torque	噪声 Noise LwdB(A)	重量 Weight kg
YE3-631-2	0.18	0.5	2720	65.0	0.80	2.2	2.2	5.5	61	3.9
YE3-632-2	0.25	0.7		68.0	0.81	2.2	2.2	5.5	61	4.1
YE3-631-4	0.12	0.4	1310	57.0	0.72	2.1	2.2	4.4	52	3.5
YE3-632-4	0.18	0.6		60.0	0.73	2.1	2.2	4.4	52	3.9
YE3-711-2	0.37	1.0	2740	70.0	0.81	2.2	2.2	6.1	64	5.0
YE3-712-2	0.55	1.4		73.0	0.82	2.2	2.3	6.1	64	6.4
YE3-711-4	0.25	0.8	1330	65.0	0.74	2.1	2.2	5.2	55	4.6
YE3-712-4	0.37	1.1		67.0	0.75	2.1	2.2	5.2	55	5.0
YE3-80M1-2	0.75	1.7	2865	80.7	0.82	2.3	2.3	7.0	67	16
YE3-80M2-2	1.1	2.4	2880	82.7	0.83	2.2	2.3	7.3	67	19
YE3-80M-4	0.75	1.8	1435	82.5	0.75	2.3	2.3	6.6	58	19
YE3-90S-2	1.5	3.2	2990	84.2	0.84	2.2	2.3	7.6	72	25
YE3-90L-2	2.2	4.6	2990	85.9	0.85	2.2	2.3	7.6	72	30
YE3-90S-4	1.1	2.6	1435	84.1	0.76	2.3	2.3	6.8	61	26
YE3-90L-4	1.5	3.5	1440	85.3	0.77	2.3	2.3	7.0	61	31
YE3-90S-6	0.75	2.0	950	78.9	0.71	2.0	2.1	6.0	57	26
YE3-90L-6	1.1	2.8	950	81.0	0.73	2.0	2.1	6.0	57	32
YE3-100L-2	3	6.0	2900	87.1	0.87	2.2	2.3	7.8	76	40

产品技术数据 SPECIFICATION

型号 Type	功率 Out put (kW)	电流 Amps (A)	转速 Speed r/min	效率 Eff. (%)	功率因数 Power Factor	堵转转矩 额定转矩 Locked Rotor Torque Rated Torque	堵转电流 额定电流 Locked Rotor Current Rated Current	最大转矩 额定转矩 Breakdown Torque Rated Torque	噪声 Noise LwdB(A)	重量 Weight kg
YE3-100L1-4	2.2	4.8	1450	86.7	0.81	2.3	2.3	7.6	64	42
YE3-100L2-4	3	6.3	1450	87.7	0.82	2.3	2.3	7.6	64	46
YE3-100L-6	1.5	3.8	950	82.5	0.73	2.0	2.1	6.5	61	44
YE3-112M-2	4	7.8	2910	88.1	0.88	2.2	2.3	8.3	77	48
YE3-112M-4	4	8.4	1455	88.6	0.82	2.2	2.3	7.8	65	55
YE3-112M-6	2.2	5.4	955	84.3	0.74	2.0	2.1	6.6	65	48
YE3-132S1-2	5.5	10.6	2920	89.2	0.88	2.0	2.3	8.3	80	64
YE3-132S2-2	7.5	14.4	2920	90.1	0.88	2.0	2.3	7.8	80	70
YE3-132S-4	5.5	11.2	1460	89.6	0.83	2.0	2.3	7.5	71	69
YE3-132M-4	7.5	15.0	1460	90.4	0.84	2.0	2.3	7.9	71	83
YE3-132S-6	3	7.2	970	85.6	0.74	2.0	2.1	6.8	69	59
YE3-132M1-6	4	9.5	970	86.8	0.74	2.0	2.1	6.8	69	71
YE3-132M2-6	5.5	12.7	970	88.0	0.75	2.0	2.1	7.0	69	73
YE3-160M1-2	11	20.6	2942	91.2	0.89	2.0	2.3	8.1	86	125
YE3-160M2-2	15	27.9	2942	91.9	0.89	2.0	2.3	8.1	86	144
YE3-160L-2	18.5	34.2	2942	92.4	0.89	2.0	2.3	8.2	86	155
YE3-160M-4	11	21.5	1470	91.4	0.85	2.2	2.3	7.7	75	124
YE3-160L-4	15	28.8	1470	92.1	0.86	2.2	2.3	7.8	75	144
YE3-160M-6	7.5	16.2	976	89.1	0.79	2.0	2.1	7.0	73	115
YE3-160L-6	11	23.1	976	90.3	0.80	2.0	2.1	7.2	73	135

注：该产品可根据用户需要做成220V/380V、230V/400V、400V/660V、50HZ或60HZ。
Note: This product can be based on user needs into 220V/380V, 230V/400V, 400V/660V, 50HZ or 60HZ.

外形及安装尺寸 CONTOUR AND INSTALLATION DIMENSIONS



机座号	安装尺寸 Installation size(mm)							B14安装尺寸 Installation size for B14(mm)					B5安装尺寸 Installation size for B5(mm)					外型尺寸 Overall dimension(mm)						
	A	B	C	D	E	F	G	H	K	M	N	P	S	T	M	N	P	S	T	AB	AC	AD	HD	L
63	100	80	40	11	23	4	8.5	63	7	75	60	90	M5	2.5	115	95	140	10	3	120	120	110	173	223
71	112	90	45	14	30	5	11	71	7	85	70	105	M6	2.5	130	110	160	10	3.5	135	140	111	188	254
80	125	100	50	19	40	6	15.5	80	10	100	80	120	M6	3	165	130	200	12	3.5	155	160	124	204	285
90S	140	100	56	24	50	8	20	90	10	115	95	140	M8	3	165	130	200	12	3.5	175	175	131	221	325
90L		125																						342
100L	160	140	63	28	60	8	24	100	12	130	110	160	M8	3.5	215	180	250	15	4	200	195	154	254	381
112M	190	140	70	28	60	8	24	112	12	130	110	160	M8	3.5	215	180	250	15	4	226	220	190	302	402
132S	216	140	89	38	80	10	33	132	12	165	130	200	M10	3.5	265	230	300	15	4	265	265	205	337	510
132S		178																						
160M	254	210	108	42	110	12	37	160	15						300	250	350	19	5	290	310	230	390	640
160L		254																						

YVF2 系列变频调速三相异步电动机

YVF2 series variable frequency speed regulating three-phase asynchronous motor

本系列电动机集国内外产品之优点，调速范围宽、振动小、噪音低。电机采用鼠笼型结构、运行可靠，维护方便。装有独立的冷却风机，保证在不同转速下均有良好的冷却效果。该系列电动机在5(3)~50HZ运行时输出恒转矩，在50~100HZ运行时输出恒功率。

YVF2系列电动机的安装尺寸和功率等级均符合IEC标准，对应关系与Y系列电动机一致，互转性、通用性强。电动机采用F级绝缘，外壳防护IP44或IP54，冷却方式IC416，连续工作制(S1)。

Combining the advanced technology home and abroad, YVF2 series motors possess the advantages of wide range of adjustable speed, little vibration and low noise. The squirrel cage type structure makes it reliable operation and easy maintenance. The independent cooling fan can guarantee the good cooling effect under different speed. Running at 5(3)~50Hz, this series can run smoothly under constant torque, while at 50~100Hz it delivers constant output power.

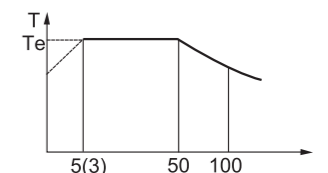
Its installations and power rank conform to IEC standard. The corresponding relation is identical with Y series motor, which is characterized by good interchangeability and versatility. This series motor adopts F grade insulation, IP44 or IP54 degree of covering protection, IC416 cooling method, continuous duty (S1). For 55kw power and below, the motor are connected in Y, while the above ones are connected in Δ.



性能数据 PERFORMANCE DATA

型号 Type	功率 Power (KW)	额定电流 Rated current (A)	额定转矩 Rated Torque N.m	恒转矩调频范围 Constant torque Frequency range (HZ)	恒功率调频范围 Constant power Frequency range (HZ)
YVF2-80M1-4	0.55	1.6	3.5	5~50	50~100
YVF2-80M2-4	0.75	2.0	4.7		
YVF2-90S-4	1.1	2.9	7.0		
YVF2-90L-4	1.5	3.7	9.5		
YVF2-100L1-4	2.2	5.2	14.0		
YVF2-100L2-4	3	6.8	19.0		
YVF2-112M-4	4	9.2	25.4		
YVF2-132S-4	5.5	11.8	35.0		
YVF2-132M-4	7.5	15.6	47.7		
YVF2-160M-4	11	22.3	70.0		
YVF2-160L-4	15	30.1	95.5		
YVF2-180M-4	18.5	36.5	117.1		
YVF2-180L-4	22	43.4	140.9		
YVF2-200L-4	30	57.6	190.9		
YVF2-225S-4	37	69.9	235.5	3~50	
YVF2-225M-4	45	84.7	286.4		
YVF2-250M-4	55	103	350.1		
YVF2-280S-4	75	140	477.7		
YVF2-280M-4	90	167	572.9		
YVF2-315S-4	110	201	700.2		
YVF2-315M-4	132	241	840.3		
YVF2-315L1-4	160	292	1018.5		
YVF2-315L2-4	200	365	1273.2		

调速特性曲线 SPEED REGULATION CHARACTERISTIC CURVE



$$\text{额定转矩 } T_e = \frac{\text{标准功率 (kw)} \times 9550}{n} \text{ Hz (N.m)}$$

注: n是电动机在50Hz时的转速

$$\text{Rated Torque } T_e = \frac{\text{Nominal power (kw)} \times 9550}{n} \text{ (N.m)}$$

Notice: n is speed of motor at 50HZ

安装结构形式 INSTALLATION STRUCTURE PATTERN

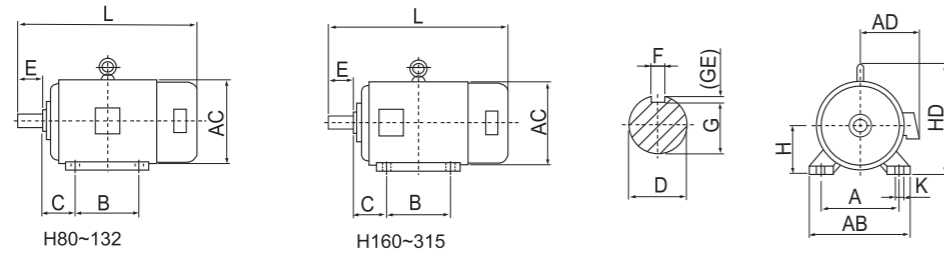
机座号 Frame No	基本安装结构 Basic installation structure			派生的安装形式 Derivative installation pattern								
	B3	B5	B35	V1	V3	V5	V6	B6	B7	B8	V15	V36
80~160	√	√	√	√	√	√	√	√	√	√	√	√
180~280	√	√	√	√	-	-	-	-	-	-	-	-
315	√	-	√	√	-	-	-	-	-	-	-	-

注: “√” 表示可以制造生产的结构型式。可根据用户需求, 设计6、8极及2极变频电动机。

Note: “√” means the type company can produce. it can design 6、8poles and 2poles frequency conversion motors according to consumer s requirements.

外形及安装尺寸 CONTOUR AND INSTALLATION DIMENSIONS

IMB3



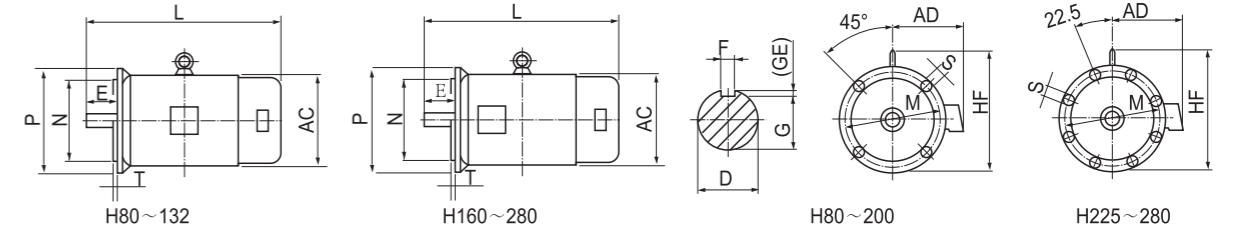
机座号 Frame No.	安装尺寸 Installation dimensions									外形尺寸 External dimensions				
	A	B	C	D	E	F	G	H	K	AB	AC	AD	HD	L
80M	125	100	50	19	40	6	15.5	80	10	165	175	145	220	370
90S	140	100	56	24	50	8	20	90	10	180	195	155	250	380
90L	140	125	56	24	50	8	20	90	10	180	195	155	250	410
100L	160	140	63	28	60	8	24	100	12	205	215	180	270	465
112M	190	140	70	28	60	8	24	112	12	230	240	190	300	480
132S	216	140	89	38	80	10	33	132	12	270	275	210	345	530
132M	216	178	89	38	80	10	33	132	12	270	275	210	345	570
160M	254	210	108	42	110	12	37	160	15	320	330	255	420	660
160L	254	254	108	42	110	12	37	160	15	320	330	255	420	715
180M	279	241	121	48	110	14	42.5	180	15	355	380	280	455	775
180L	279	279	121	48	110	14	42.5	180	15	355	380	280	455	815
200L	318	305	133	55	110	16	49	200	19	395	420	305	505	850
225S	356	286	149	60	140	18	53	225	19	435	470	335	560	885
225M	356	311	149	60	140	18	53	225	19	435	470	335	560	915
250M	406	349	168	65	140	18	58	250	24	490	510	370	615	980
280S	457	368	190	75	140	20	67.5	280	24	550	580	410	680	1085
280M	457	419	190	75	140	20	67.5	280	24	550	580	410	680	1135
315S	508	406	216	80	170	22	71	315	28	635	645	530	845	1285
315M	508	457	216	80	170	22	71	315	28	635	645	530	845	1395
315L	508	508	216	80	170	22	71	315	28	635	645	530	845	1395

与变频电机配套的部件参数 PARTS PARAMETERS MATCHING WITH FREQUENCY CONVERSION MOTORS

电机 Motor	机座号 Frame No	80	90	100	112	132	160	180	200	225	250	280	315
冷却风机 Cooling fan	功率 (W) Power	28	30	75	80	40	80	100	200	200	220	250	400
	电流 (A)	0.08	0.08	0.10	0.12	0.10	0.20	0.27	0.50	0.48	0.52	0.65	0.90
光电编码器 Photoelectric encoder	增量型编码 Incremental encoder												

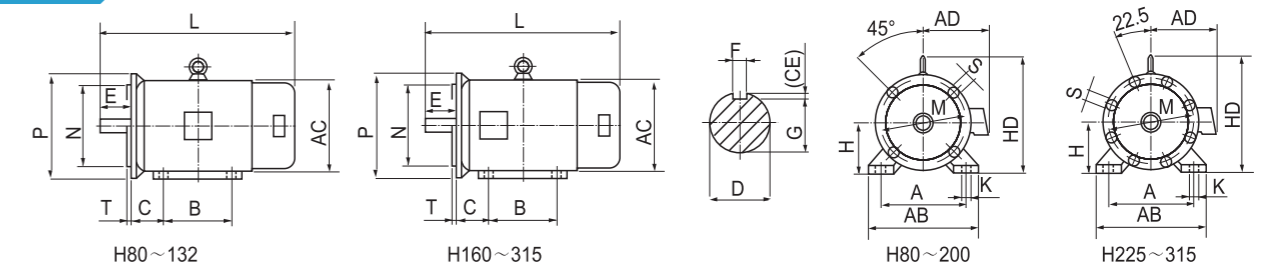
外形及安装尺寸 CONTOUR AND INSTALLATION DIMENSIONS

IMB5



机座号 Frame No.	安装尺寸 Installation dimensions											外形尺寸 External dimensions			
	D	E	F	G	H	M	N	P	R	S	T	AC	AD	HF	L
80M	19	40	6	15.5	80	165	130	200	0	12	3.5	175	145	185	370
90S	24	50	8	20	90	165	130	200	0	12	3.5	195	155	195	380
90L	24	50	8	20	90	165	130	200	0	12	3.5	195	155	195	410
100L	28	60	8	24	100	215	180	250	0	15	4	215	180	245	465
112M	28	60	8	24	112	215	180	250	0	15	4	240	190	265	480
132S	38	80	10	33	132	265	230	300	0	15	4	275	210	315	530
132M	38	80	10	33	132	265	230	300	0	15	4	275	210	315	570
160M	42	110	12	37	160	300	250	350	0	19	5	330	255	385	660
160L	42	110	12	37	160	300	250	350	0	19	5	330	255	385	715
180M	48	110	14	42.5	180	300	250	350	0	19	5	380	280	430	775
180L	48	110	14	42.5	180	300	250	350	0	19	5	380	280	430	815
200L	55	110	16	49	200	350	300	400	0	19	5	420	305	480	850
225S	60	140	18	53	225	400	350	450	0	19	5	470	335	535	885
225M	60	140	18	53	225	400	350	450	0	19	5	470	335	535	915
250M	65	140	18	58	250	500	450	550	0	19	5	510	370	595	980
280S	75	140	20	67.5	280	500	450	550	0	19	5	580	410	650	1085
280M	75	140	20	67.5	280	500	450	550	0	19	5	580	410	650	1135

IMB35



它的外形及安装尺寸参照B3与B5，其中凸缘部分参照B5，机座部分参照B3。
Its external dimensions and installation dimensions refer to B3 and B5, and the part or flange refers to B5, the part of frame refers to B3.
表中外形尺寸为电机最大外形尺寸，实际情况以实物为准。
External dimensions in the table are the maximum size. The actual conditions are subject to real object.