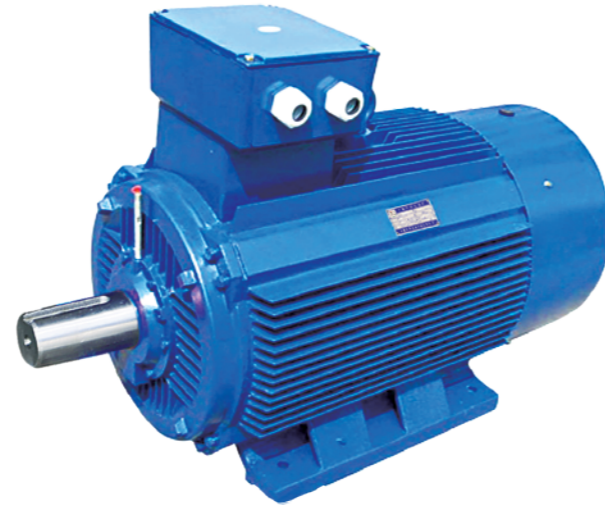


Y3-400~450 系列 (IP55) 低压大功率三相异步电动机

Y3-400~450 series (IP55) Low voltage high power three-phase asynchronous motor

Y3系列低压大功率全封闭自扇冷式鼠笼型转子三相异步电动机,是在Y2系列基础上,采用新材料、新工艺、可靠地技术设计而成,其功率等级及安装尺寸完全符合IEC标准。电动机额定电压为380V或660V,额定频率为50Hz,防护等级为IP55,F级绝缘,冷却方式为IC411,连续工作制(S1),具有IMB3、IMB35和IMV1三种安装形式。可广泛应用于驱动无特殊性能要求的各种大功率机械设备,如机床、水泵、风机、压缩机、运输机、搅拌机、农业机械、冶金机械、矿山机械等。



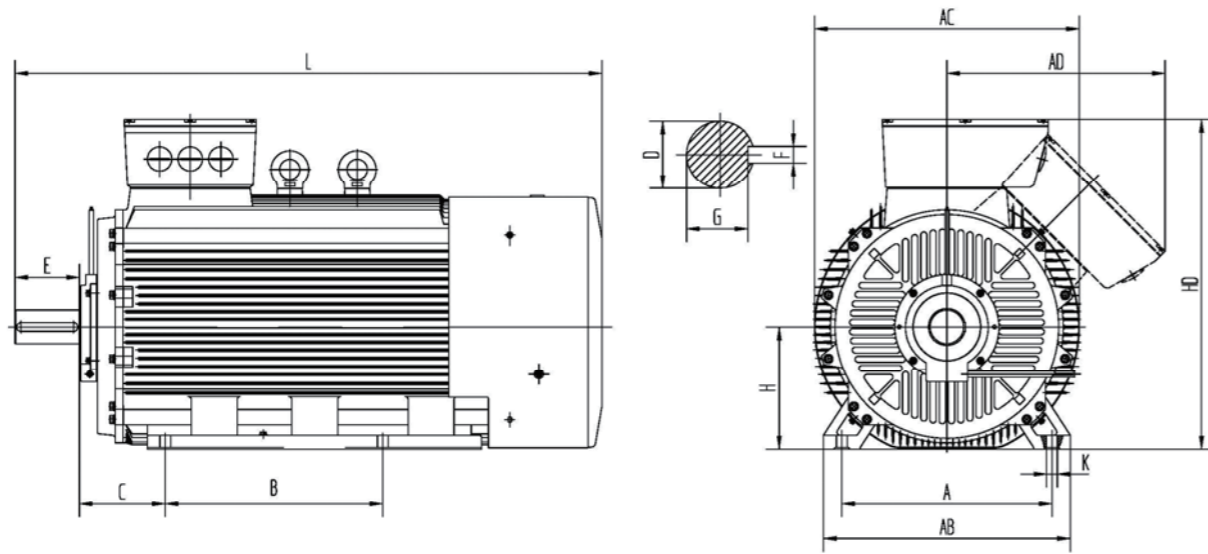
Y3 Series low-voltage high-power fully enclosed self fan cooled squirrel cage rotor three-phase asynchronous motor is designed on the basis of Y2 series by adopting new materials, new technology and reliable technology. Its power rating and installation dimensions fully comply with IEC standards. Motor rated voltage is 380V or 660V, rated frequency is 50 Hz, protection grade is IP55, F-class insulation, cooling mode is ic411, continuous working system (S1), with three installation forms of IMB3, IMB35 and imv1. It can be widely used to drive all kinds of high-power mechanical equipment without special performance requirements, such as machine tools, pumps, fans, compressors, transporters, blenders, agricultural machinery, metallurgical machinery, mining machinery, etc..

产品技术数据 SPECIFICATION

型号 Type	功率 Out put (KW)	电流 (A) Amps		转速 Speed r/min	效率 Eff. (%)	功率因数 Power Factor Cos φ	I _{st} /I _N	T _{st} /T _N	T _M /T _N	重量 Weight kg
		电压 (380V)	电压 (660V)							
Y3-3551-2	355	615	354	2980	96.4	0.90	6.5	1.3	2.5	
Y3-3552-2	400	692	398	2980	96.4	0.90	6.5	1.3	2.5	
Y3-3553-2	450	780	449	2980	96.4	0.90	6.5	1.3	2.5	
Y3-3551-4	355	636	366	1490	96.3	0.88	6.5	1.6	2.5	
Y3-3552-4	400	716	412	1490	96.3	0.88	6.5	1.6	2.5	
Y3-3553-4	450	806	464	1490	96.3	0.88	6.5	1.6	2.5	
Y3-3551-6	315	587	338	990	96.0	0.82	6.5	1.8	2.5	
Y3-3552-6	355	661	381	990	96.0	0.82	6.5	1.8	2.5	
Y3-3551-8	250	499	287	740	95.2	0.80	6.5	1.6	2.5	
Y3-3552-8	315	629	362	740	95.2	0.82	6.5	1.6	2.5	
Y3-3551-10	200	434	250	590	94.7	0.74	6.0	1.4	2.5	
Y3-3552-10	250	542	312	590	94.7	0.74	6.0	1.4	2.5	
Y3-4001-2	450	780	449	2983	96.4	0.90	6.5	1.3	2.5	
Y3-4002-2	500	867	499	2983	96.4	0.90	6.5	1.3	2.5	
Y3-4003-2	560	960	553	2983	96.5	0.91	6.5	1.2	2.5	

型号 Type	功率 Out put (KW)	电流 (A) Amps		转速 Speed r/min	效率 Eff. (%)	功率因数 Power Factor Cos φ	I _{st} /I _N	T _{st} /T _N	T _M /T _N	重量 Weight kg
		电压 (380V)	电压 (660V)							
Y3-4001-4	450	806	464	1492	96.3	0.88	6.5	1.6	2.5	
Y3-4002-4	500	896	516	1492	96.4	0.88	6.5	1.4	2.5	
Y3-4003-4	560	992	571	1492	96.4	0.89	6.5	1.4	2.5	
Y3-4004-4	630	/	642	1492	96.5	0.89	6.5	1.4	2.5	
Y3-4001-6	355	661	381	994	96.0	0.82	6.5	1.8	2.5	
Y3-4002-6	400	736	424	994	96.2	0.83	6.5	1.6	2.4	
Y3-4003-6	450	828	477	994	96.2	0.83	6.5	1.6	2.4	
Y3-4004-6	500	918	529	994	96.4	0.83	6.5	1.6	2.4	
Y3-4001-8	315	629	362	745	95.2	0.80	6.5	1.6	2.5	
Y3-4002-8	355	688	396	745	95.6	0.80	6.0	1.6	2.4	
Y3-4003-8	400	775	446	745	95.6	0.80	6.0	1.6	2.4	
Y3-4001-10	250	542	312	595	94.7	0.74	6.0	1.4	2.5	
Y3-4002-10	315	653	376	595	95.1	0.77	6.0	1.4	2.5	
Y3-4003-10	355	736	424	595	95.1	0.77	6.0	1.3	2.5	
Y3-4501-2	560	/	555	2985	96.5	0.91	6.5	1.2	2.5	
Y3-4502-2	630	/	625	2985	96.5	0.91	6.5	1.2	2.5	
Y3-4503-2	710	/	700	2985	96.6	0.91	6.5	1.2	2.5	
Y3-4504-2	800	/	790	2985	96.6	0.91	6.5	1.2	2.5	
Y3-4501-4	630	/	645	1495	96.5	0.89	6.5	1.4	2.5	
Y3-4502-4	710	/	725	1495	96.5	0.89	6.5	1.4	2.5	
Y3-4503-4	800	/	815	1495	96.6	0.90	6.5	1.4	2.5	
Y3-4504-4	900	/	915	1495	96.6	0.90	6.5	1.4	2.5	
Y3-4501-6	500	/	535	995	96.4	0.83	6.5	1.6	2.4	
Y3-4502-6	560	/	600	995	96.4	0.84	6.5	1.6	2.4	
Y3-4503-6	630	/	675	995	96.5	0.84	6.5	1.6	2.4	
Y3-4504-6	710	/	760	995	96.5	0.84	6.5	1.6	2.4	
Y3-4501-8	400	/	450	745	95.6	0.80	6.0	1.6	2.4	
Y3-4502-8	450	/	500	745	95.9	0.82	6.0	1.6	2.4	
Y3-4503-8	500	/	555	745	96.2	0.82	6.0	1.6	2.4	
Y3-4504-8	560	/	625	745	96.2	0.82	6.0	1.6	2.4	
Y3-4501-10	355	740	426	595	95.1	0.77	6.0	1.3	2.5	
Y3-4502-10	400	830	478	595	95.6	0.77	6.0	1.3	2.5	
Y3-4503-10	450	930	535	595	95.6	0.77	6.0	1.3	2.5	

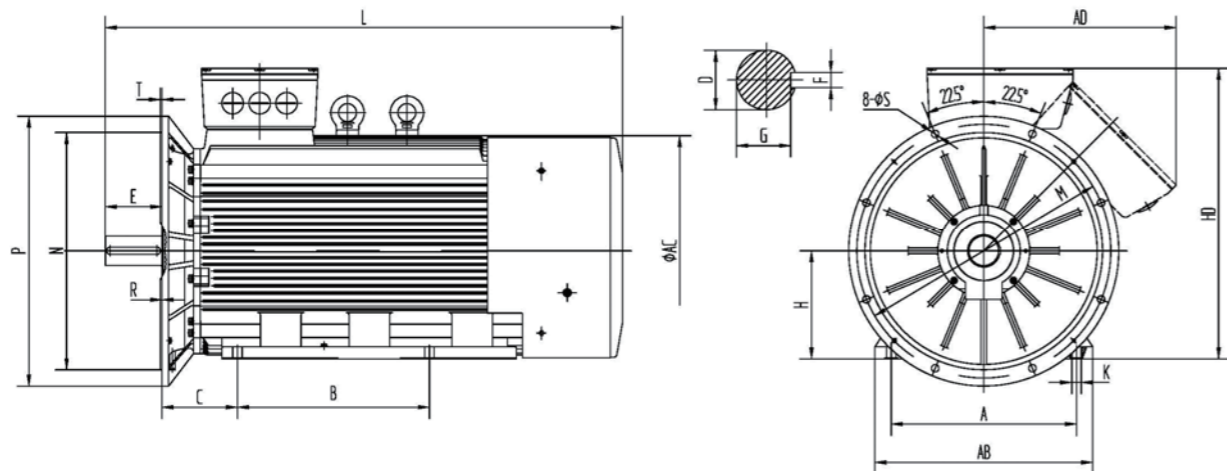
外形及安装尺寸 CONTOUR AND INSTALLATION DIMENSIONS



● 安装尺寸 (B3 机座带底脚、端盖无凸缘)

机座号 Frame No.	极数 Poles	安装尺寸 Installation Dimensions									外形尺寸 External Dimensions				
		A	B	C	D	E	F	G	H	K	AB	AC	AD	HD	L
Y3-355	2	630	800	224	80	170	22	71	355	35	760	770	760	1130	187
	4~10				110	210	28	100							192
Y3-400	2	710	900	224	85	170	22	76	400	35	840	860	900	1260	191
	4~10				120	210	32	109							1975
Y3-450	2	800	1000	250	95	170	25	86	450	42	990	960	940	1380	207
	4~10				130	210	32	119							211

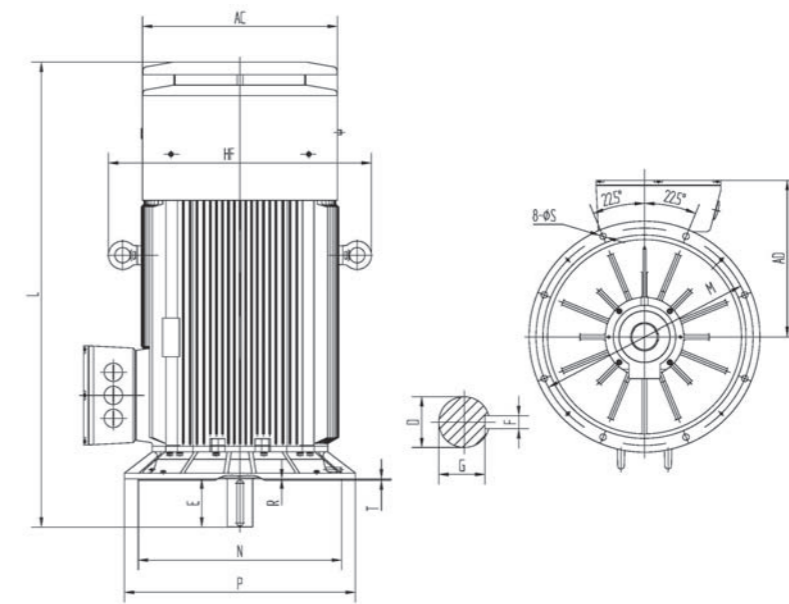
外形及安装尺寸 CONTOUR AND INSTALLATION DIMENSIONS



● 安装尺寸 (B35 机座带底脚、端盖无凸缘)

机座号 Frame No.	极数 Poles	安装尺寸 Installation Dimensions														外形尺寸 External Dimensions						
		A	B	C	D	E	F	G	H	K	M	N	P	R	S	T	凸缘孔数 Number of flange holes	AB	AC	AD	HD	L
Y3-355	2	630	800	224	80	170	22	71	355	35	840	780	900	0	24	6	8	760	770	760	1130	1870
	4~10				110	210	28	100														1920
Y3-400	2	710	900	224	85	170	22	76	400	35	940	880	1000	0	28	6	8	840	860	900	1255	1910
	4~10				120	210	32	109														1975
Y3-450	2	800	1000	250	95	170	25	86	450	42	1080	1000	1150	0	28	6	8	990	960	940	1380	2070
	4~10				130	210	32	119														2110

外形及安装尺寸 CONTOUR AND INSTALLATION DIMENSIONS



● 安装尺寸 (V1 轴伸向下立式安装、机座不带底脚、端盖有凸缘)

机座号 Frame No.	极数 Poles	安装尺寸 Installation Dimensions											外形尺寸 External Dimensions			
		D	E	F	G	M	N	P	R	S	T	凸缘孔数 Number of flange holes	AC	AD	HF	L
Y3-355	2	80	170	22	71	840	780	900	0	24	6	8	770	760	1220	1920
	4~10	110	210	28	100											1970
Y3-400	2	85	170	22	76	940	880	1000	0	28	6	8	860	900	1255	1960
	4~10	120	210	32	109											2025
Y3-450	2	95	170	25	86	1080	1000	1150	0	28	6	8	960	940	1500	2120
	4~10	130	210	32	119											2160